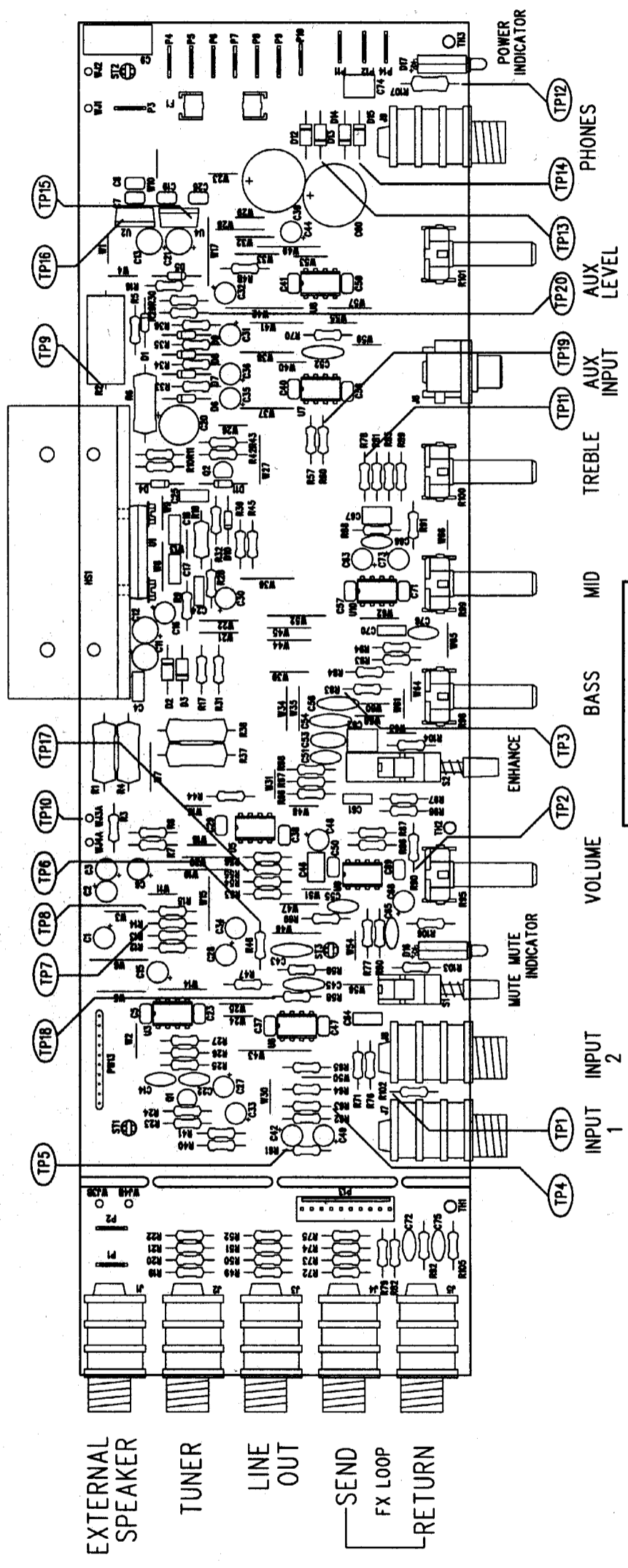


REVISIONS			
REV.	DESCRIPTION	DATE	APPROVED
A	PR422	30-JUL-99	R.B.H.
B	EC 2360	13-OCT-99	R.B.H.
C	EC 2454	28-FEB-00	R.B.H.



FILE/DIR: SERVICE DIAGRAM
 DATABASE: 7422P.PCB DATE: 28-FEB-00

MUSICAL INSTRUMENTS
 2621 Research Drive
 Corona, CA U. S. A.

TITLE: SERVICE DIAGRAM, COMBINED (PCB assy)
 BASSMAN 25

CHECKED BY: *[Signature]*
 DATE: 10-APR-00

APPROVED BY: *[Signature]*
 DATE: 10-APR-00

DRW: A. BASSMAN ENR: S. WALKER
 DATABASE FILE: 7422P.PCB

SIZE: C
 DRAWING NUMBER: 0055621000
 RELEASE DATE: 30-JUL-99 SHEET 2 OF 2

1. SEE SHEET 1 FOR PRIMARY WIRING, TEST CONDITIONS AND TESTPOINT VALUES.
 NOTES: (UNLESS OTHERWISE NOTED)