

SERVICE DOCUMENTATION



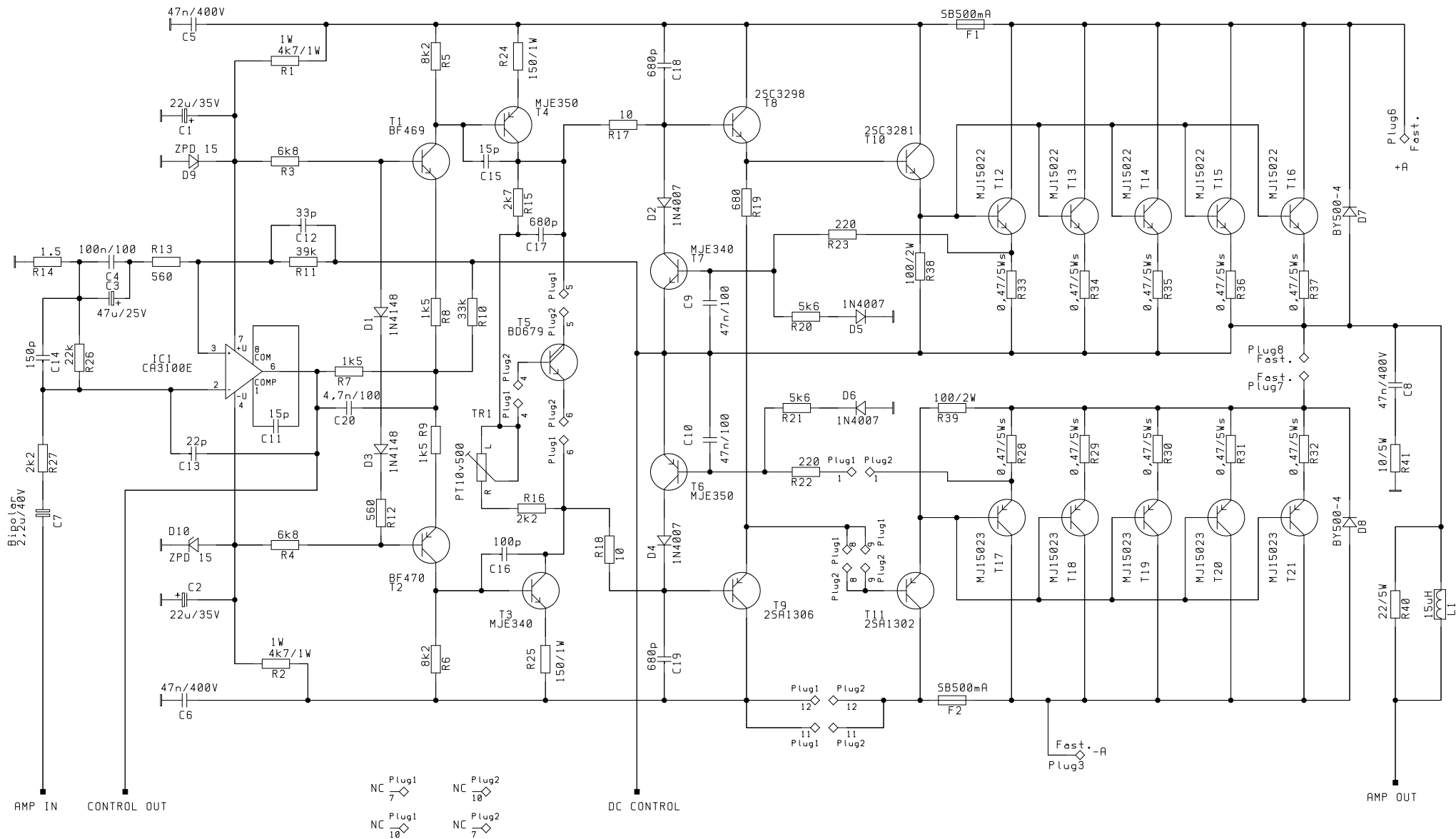
Bass Base 600

Inhaltsverzeichnis/ Contents

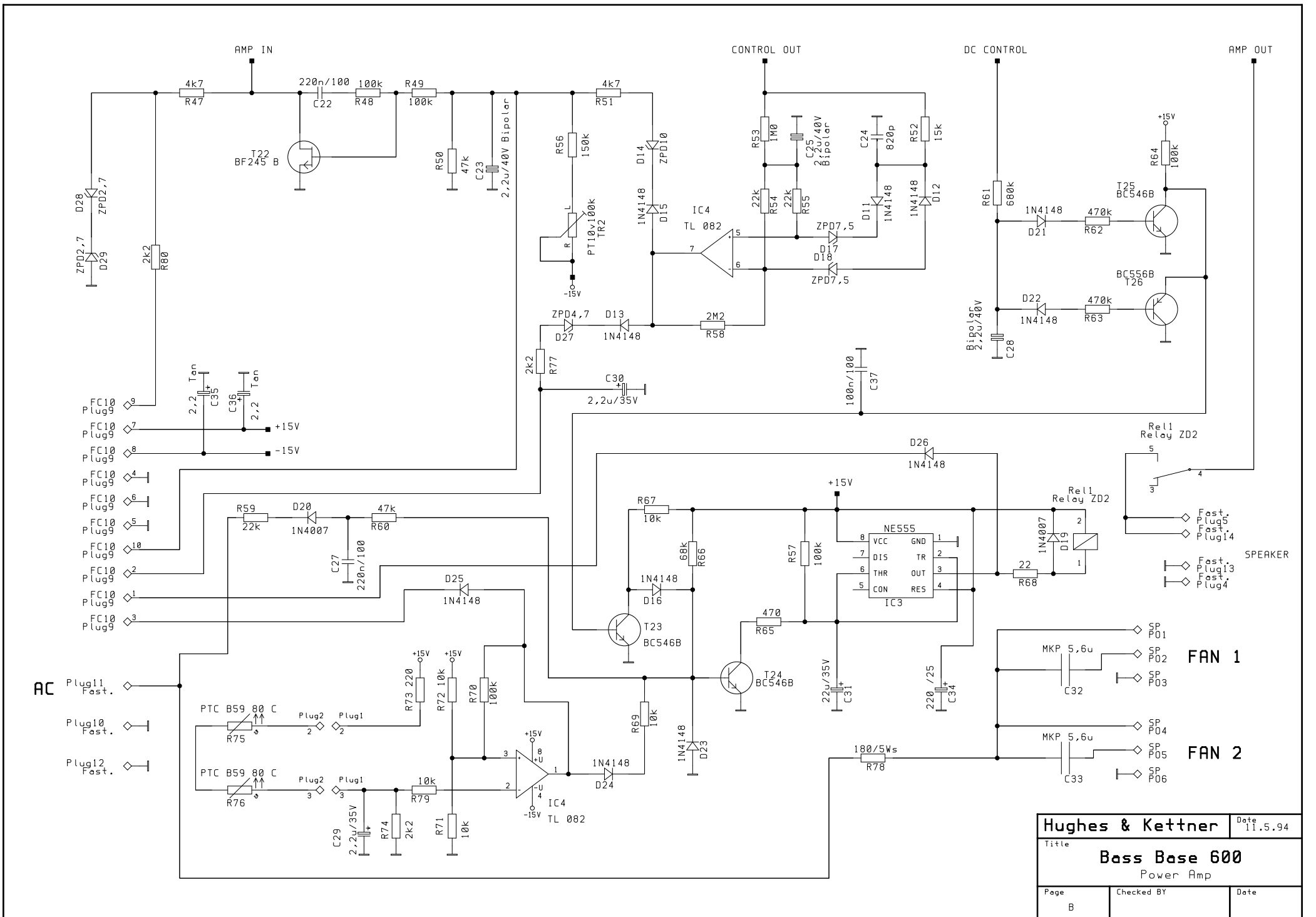
- 1 Schaltpläne/ schematic diagrams**
- 2 Bestückungspläne/ component parts**
- 3 Bestellnummern/ order no.**
- 4 Bestellinformationen/ ordering informations**
- 5 Technische Daten/ technical data**

GD/ 29.11. 99

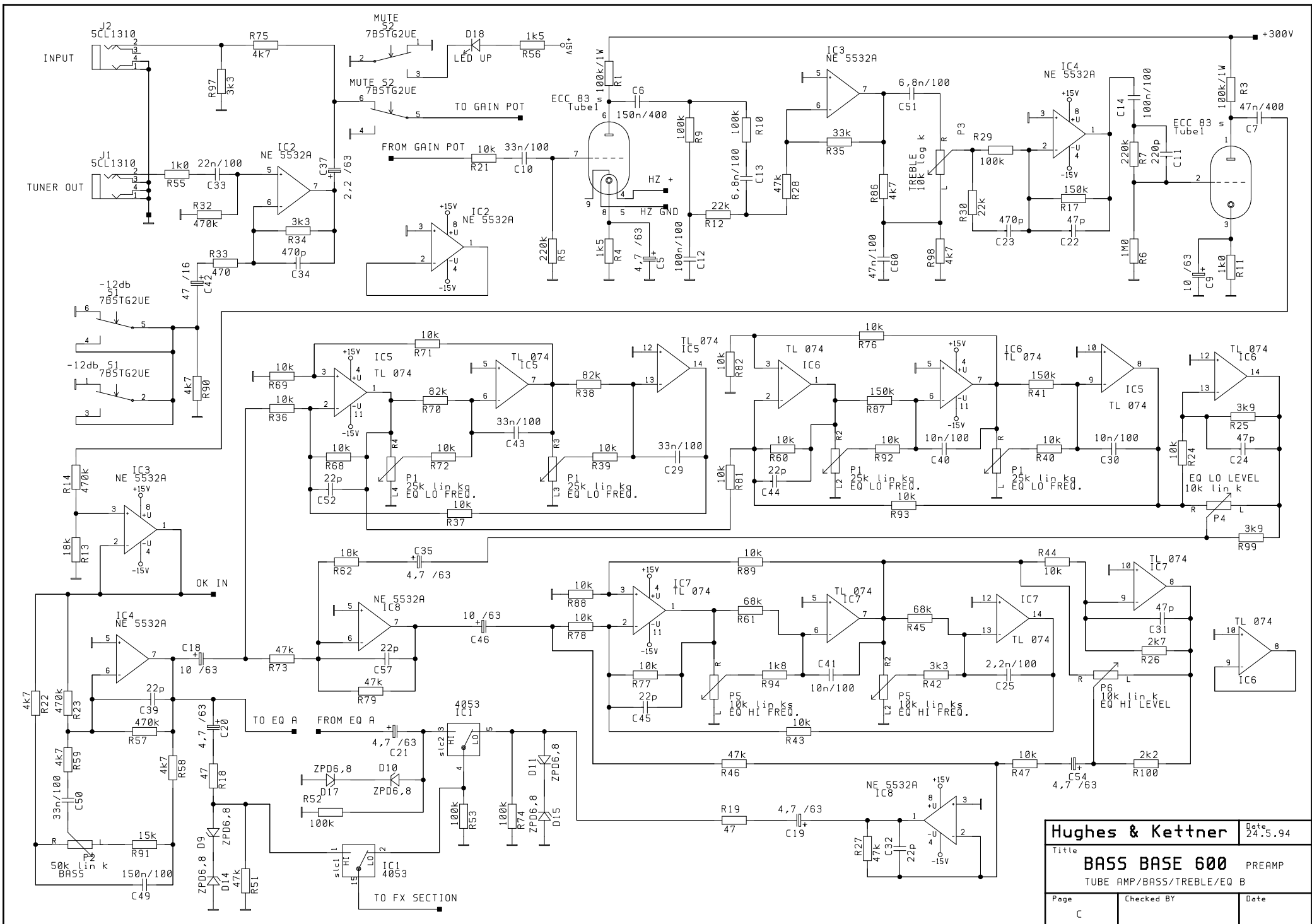
1 Schaltpläne/ schematics



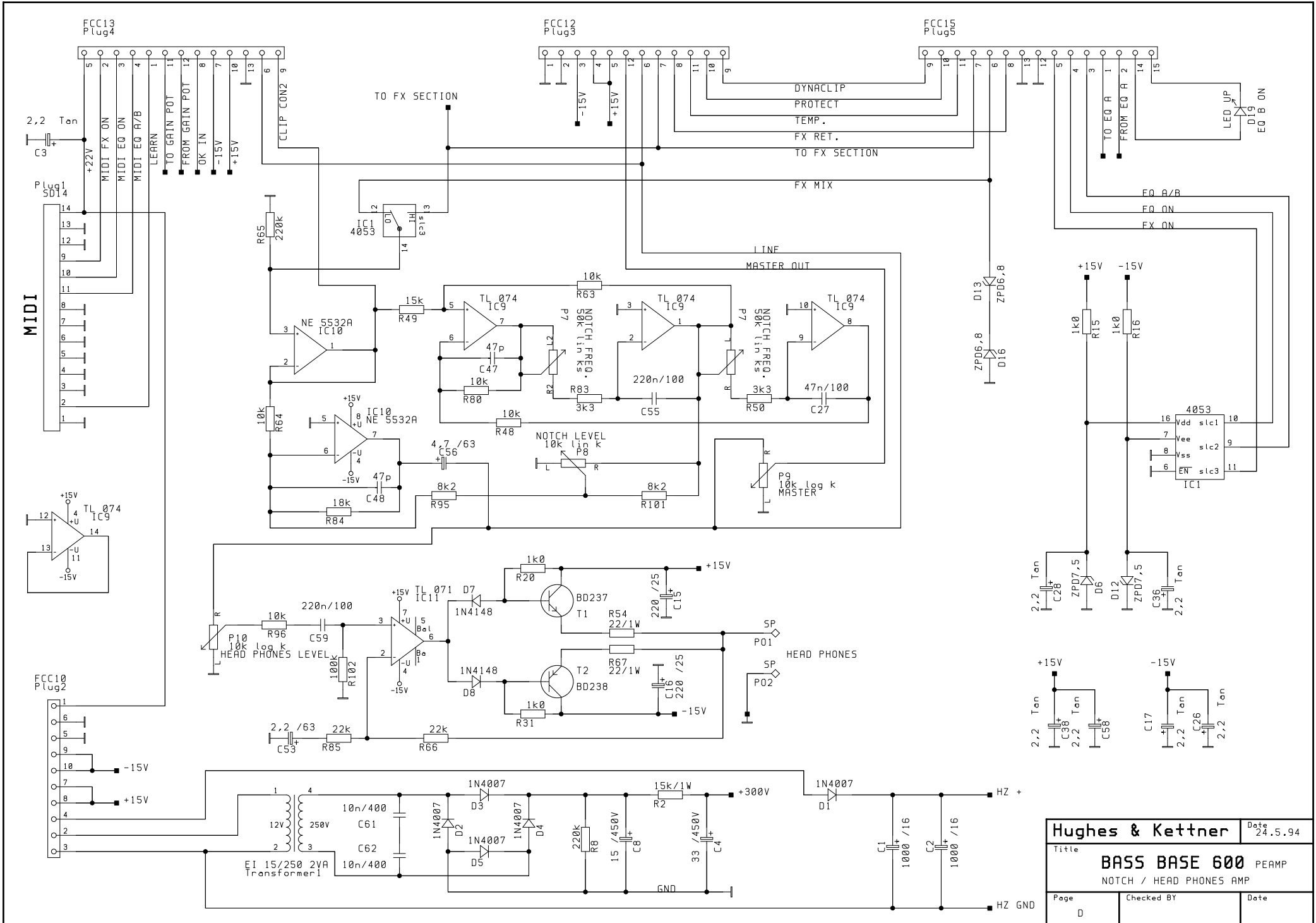
Hughes & Kettner		Date
Title		11.5.94
Bass Base 600		
Power Amp		
Page	Checked BY	Date
A		



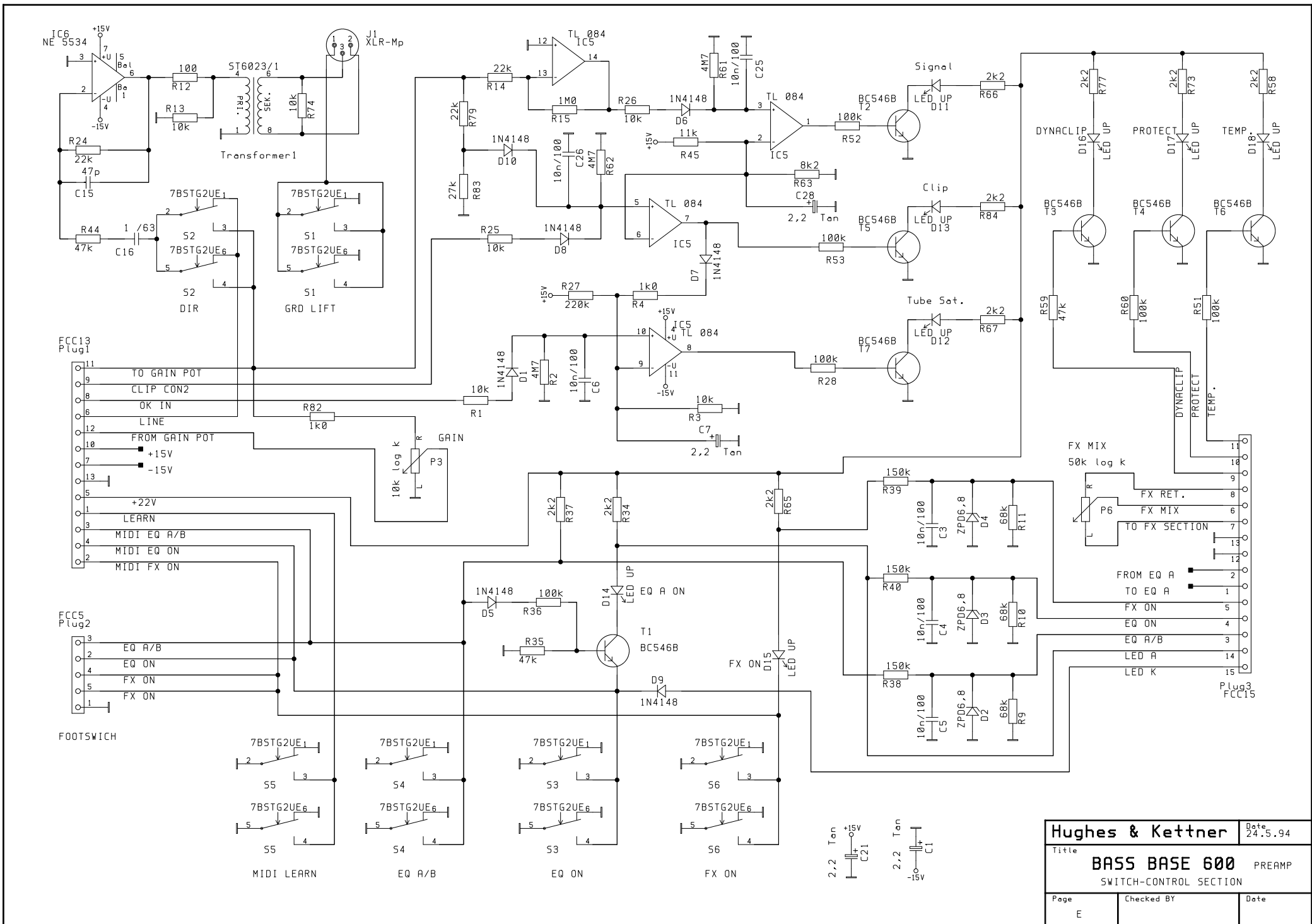
Hughes & Kettner		Date
Title		11.5.94
Bass Base 600		
Power Amp		
Page	Checked BY	Date
B		

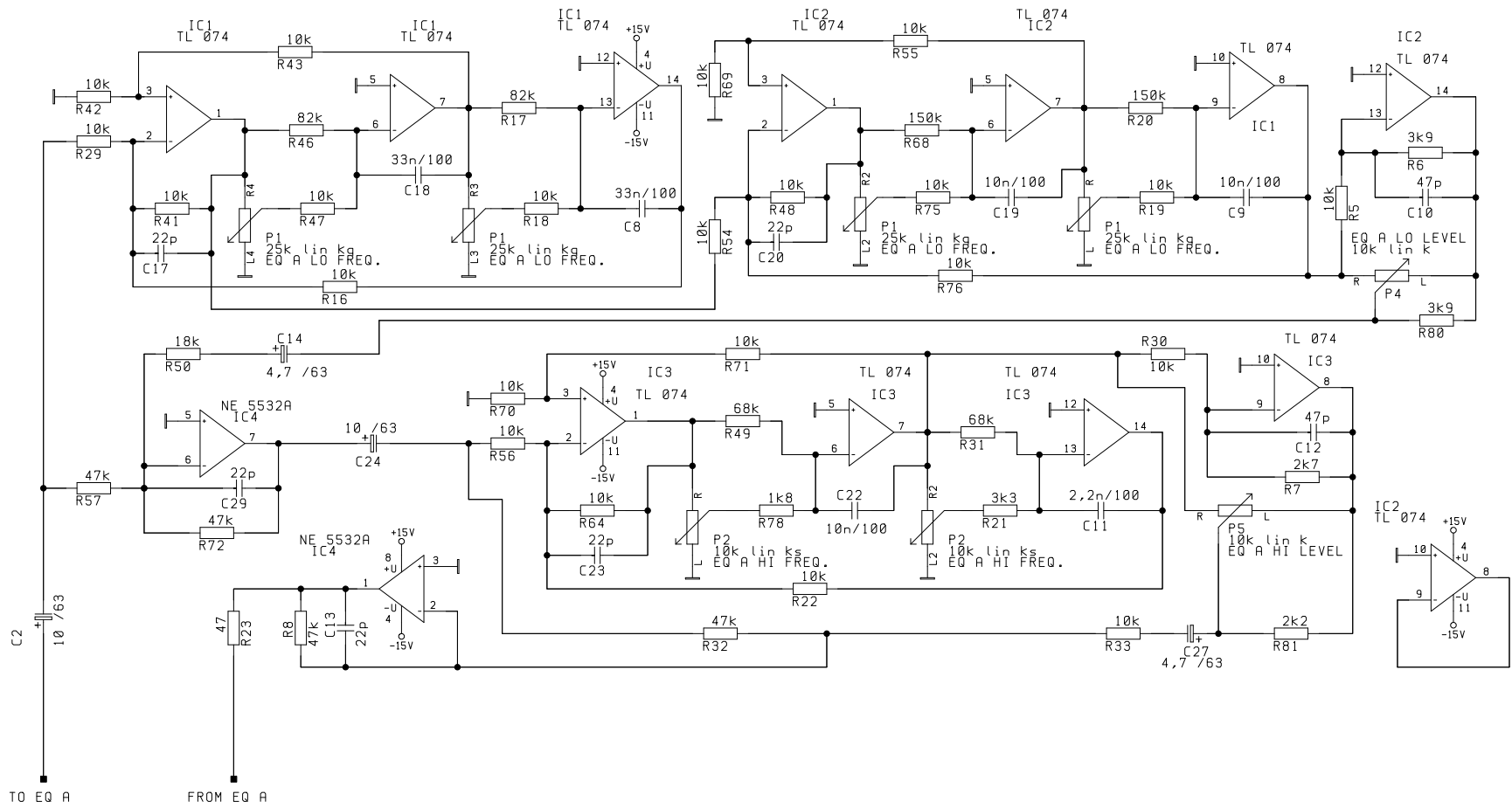


Hughes & Kettner		Date 24.5.94
Title		
BASS BASE 600		PREAMP
TUBE AMP/BASS/TREBLE/EQ B		
Page	Checked BY	Date
C		

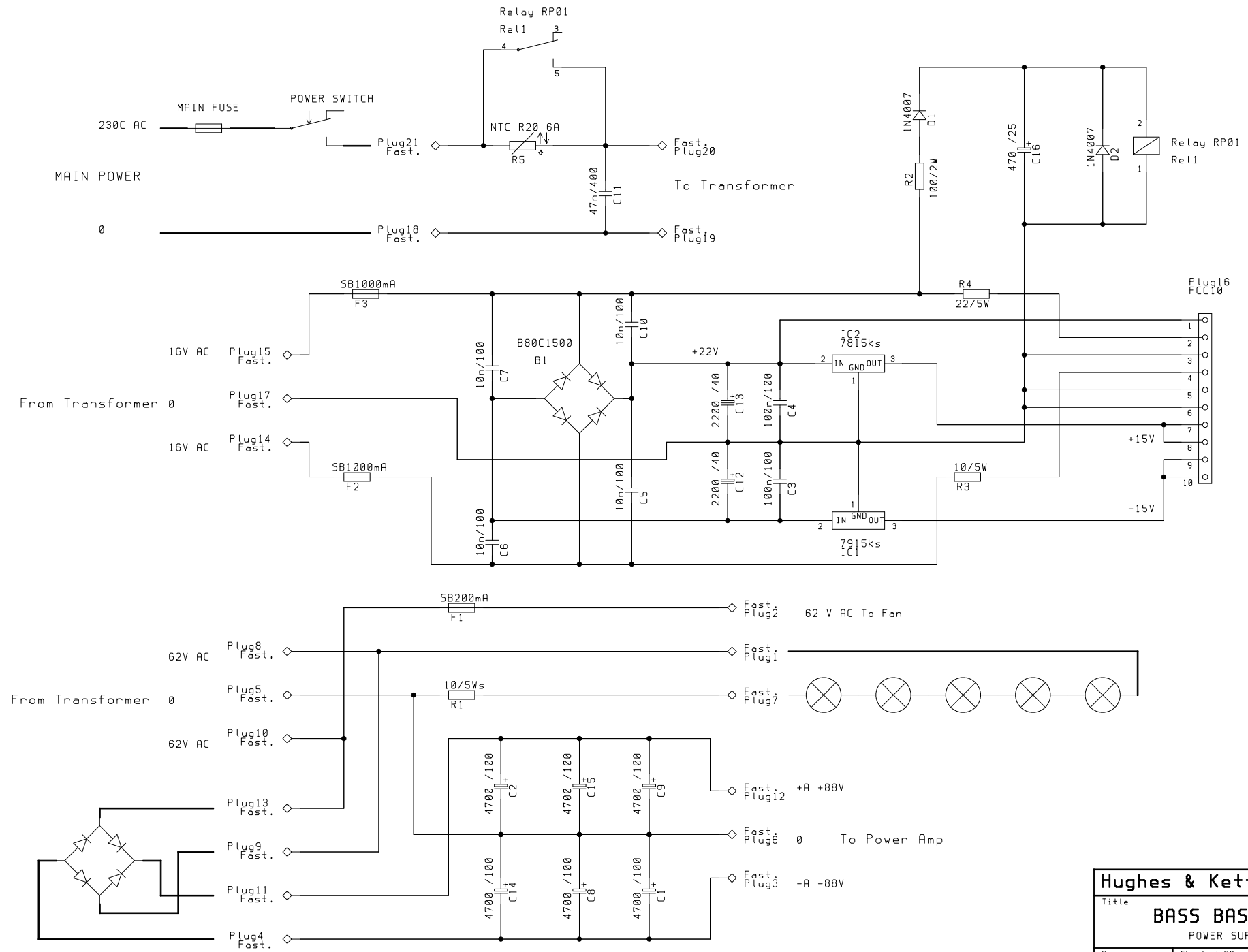


Hughes & Kettner		Date
Title		24.5.94
BASS BASE 600 PEAMP		
NOTCH / HEAD PHONES AMP		
Page	Checked BY	Date
D		

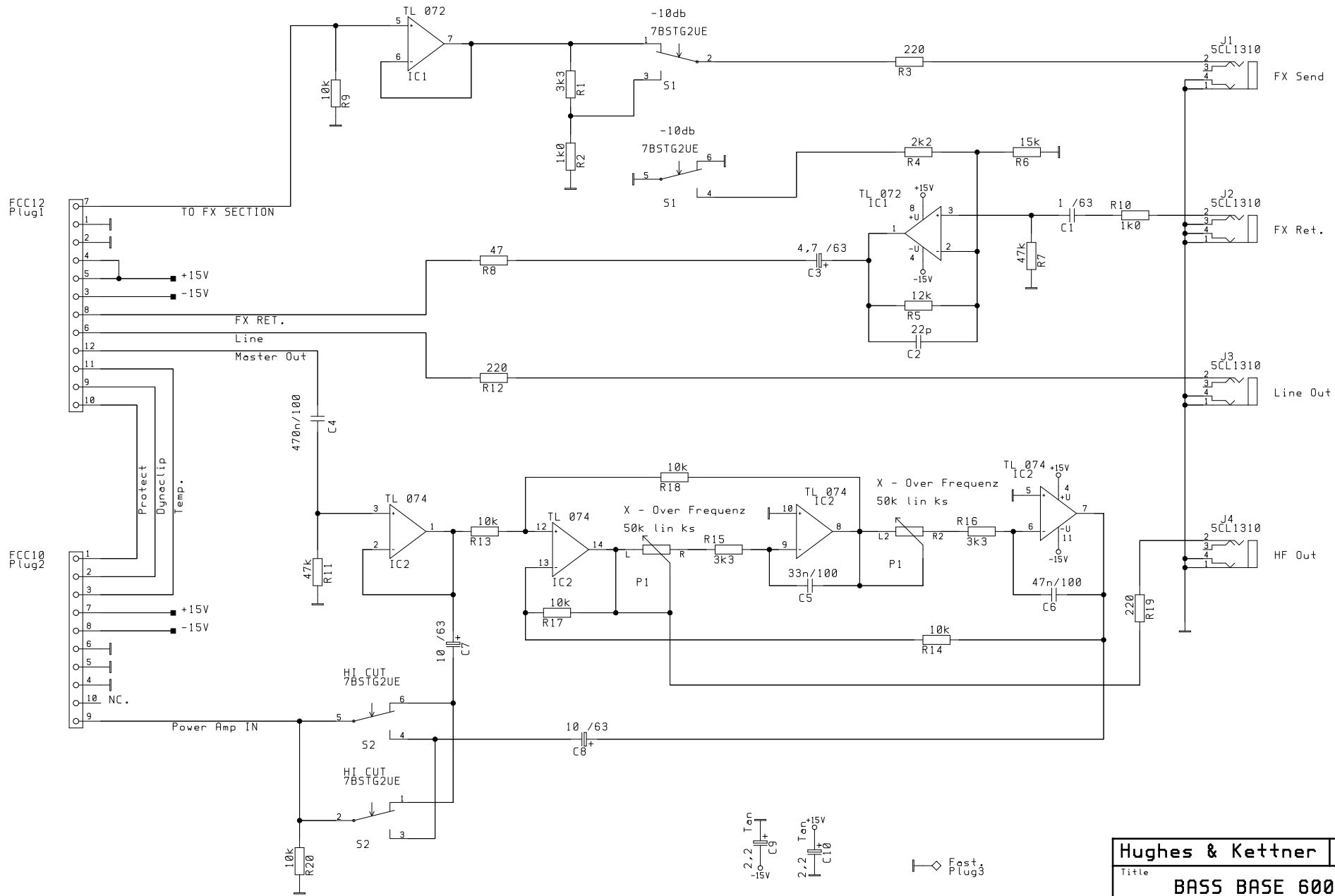




Hughes & Kettner		Date
Title		24.5.94
BASS BASE 600		
PREAMP EQ A		
Page	Checked BY	Date
F		



Hughes & Kettner		Date
Title		24.5.94
BASS BASE 600		
POWER SUPPLY		
Page	Checked BY	Date
G		

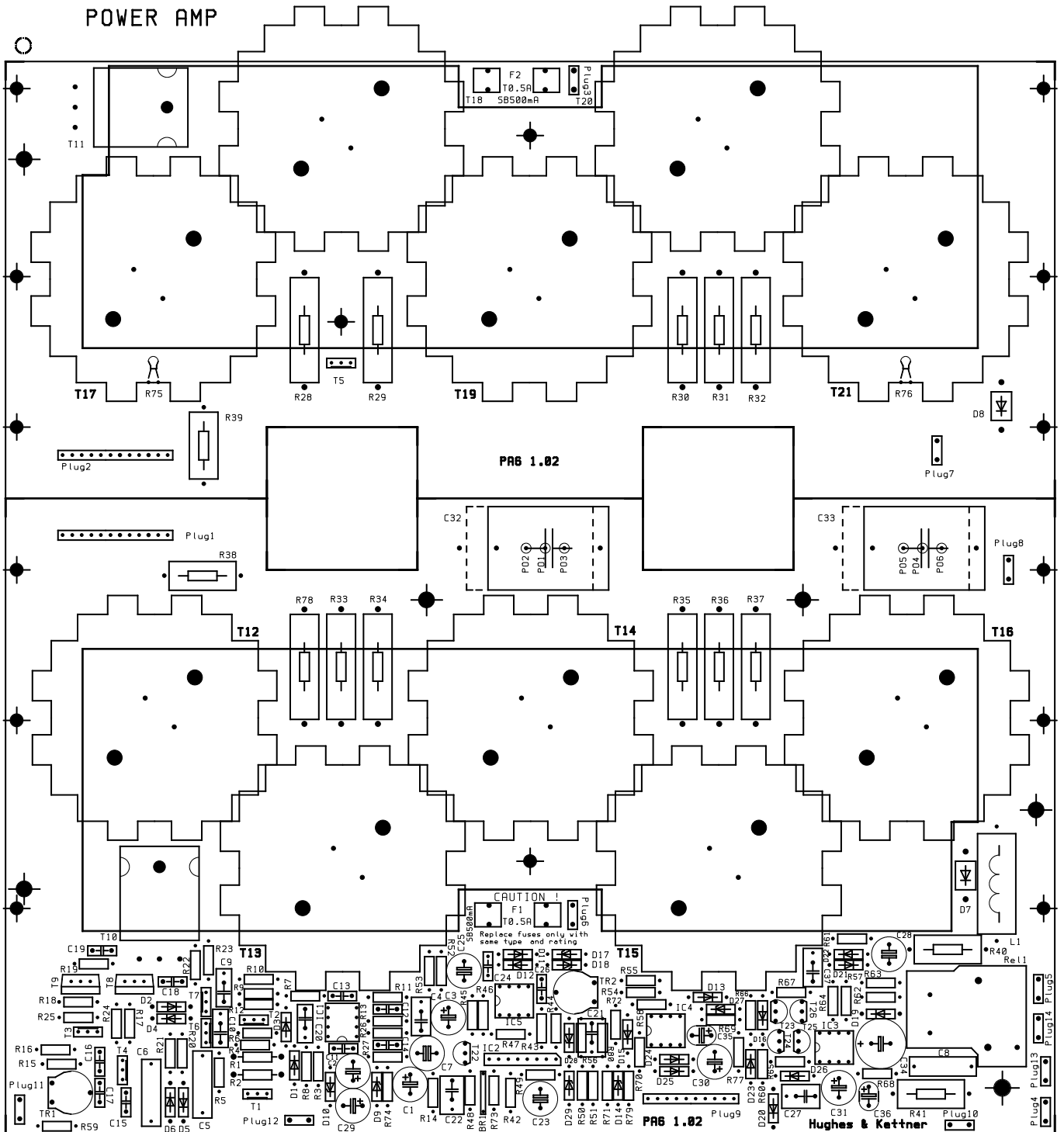


Hughes & Kettner		Date
Title		24.5.94
BASS BASE 600		
X-OVER / FX AMP		
Page	Checked BY	Date
H		

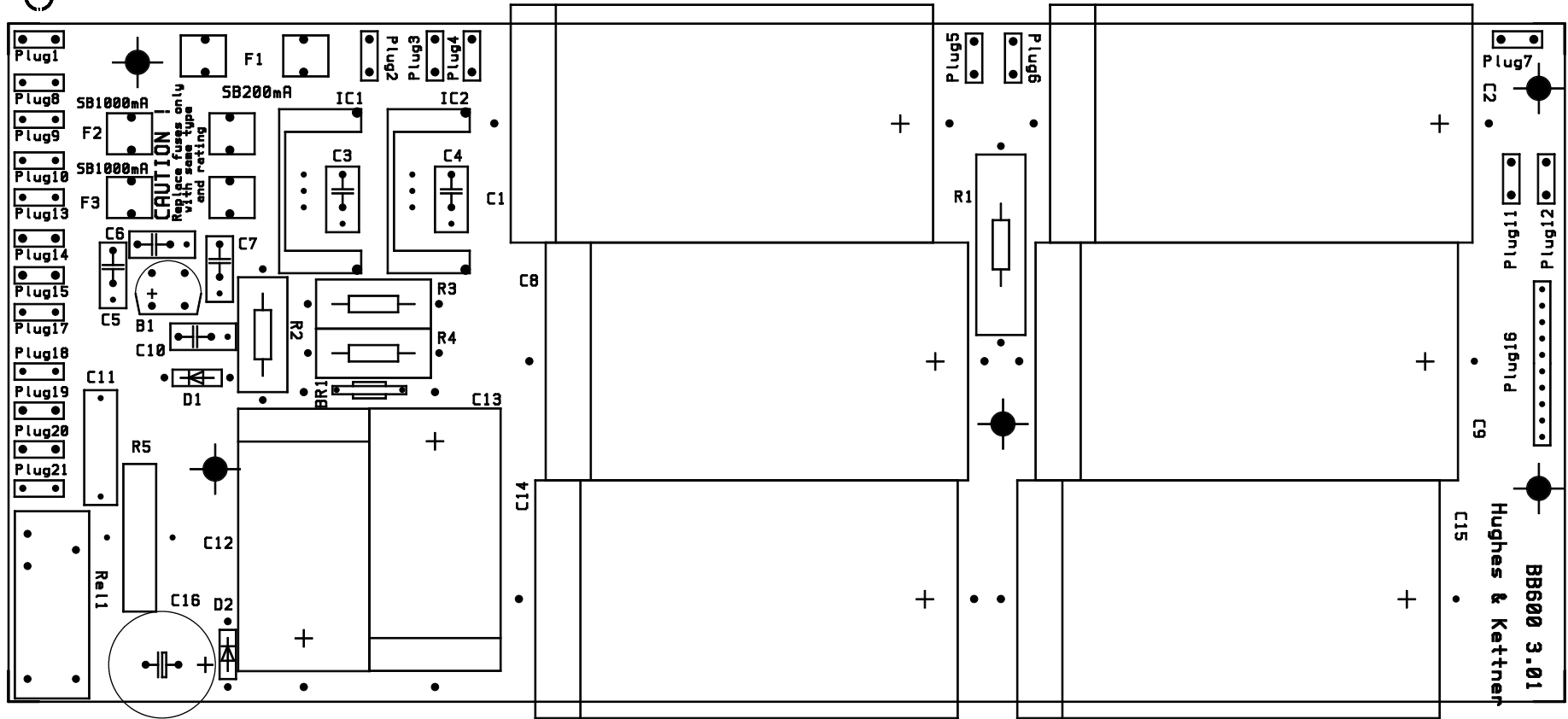
GD/ 29.11. 99

2 Bestückungspläne/ component parts

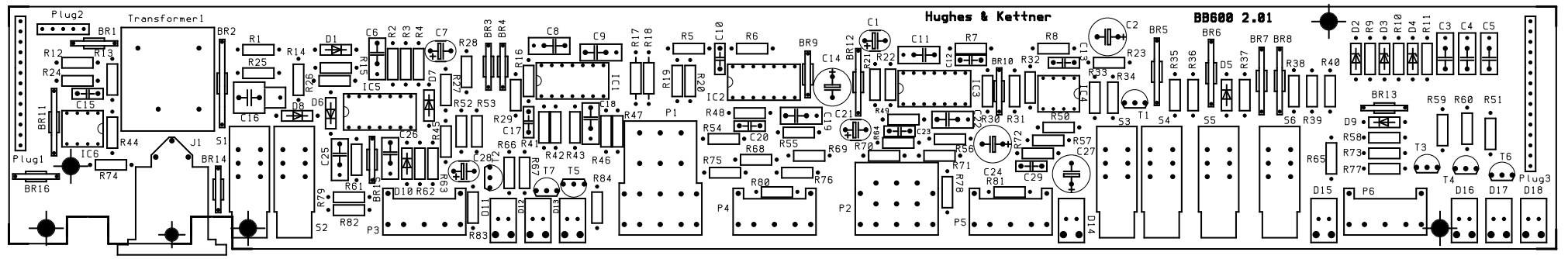
POWER AMP



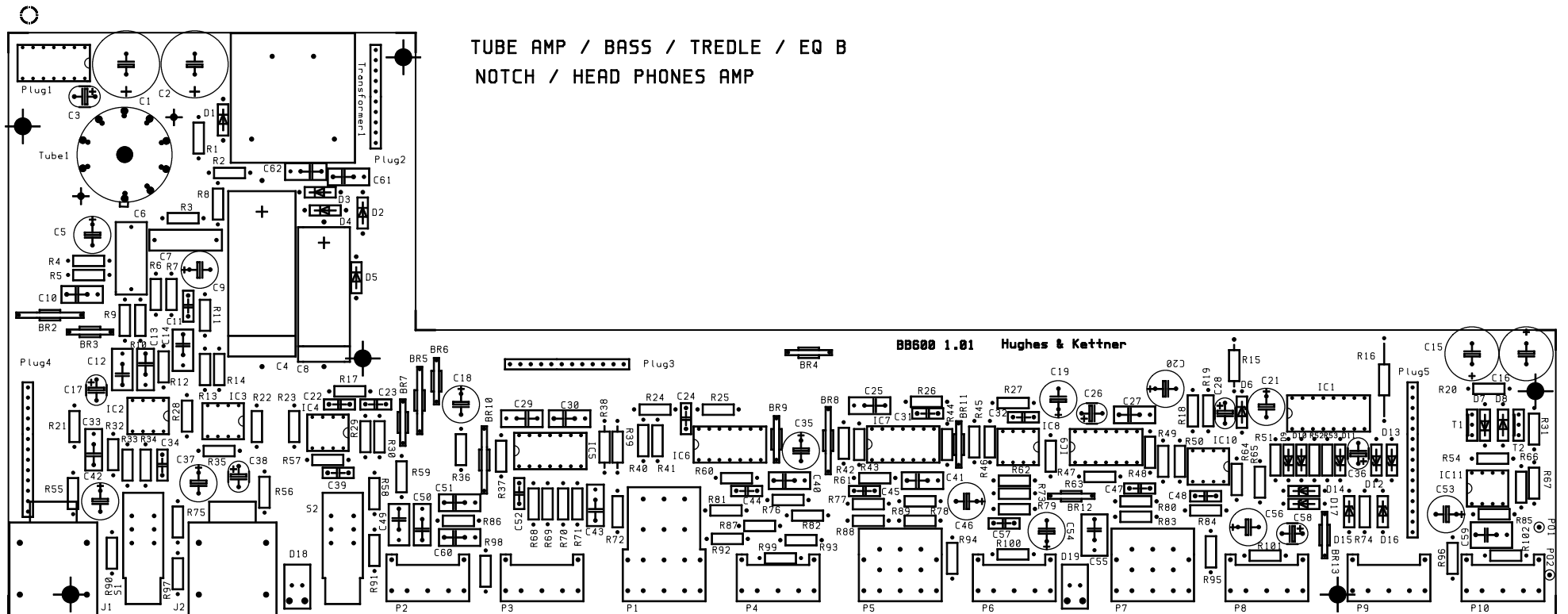
POWER SUPPLY



PREAMP EQ A
SWITCH - CONTROL SECTION



TUBE AMP / BASS / TREDLE / EQ B
NOTCH / HEAD PHONES AMP



BB600 1.01 Hughes & Kettner

3 Bestellnummern/ order no. Bass Base 600

no.	schematic position	name	specs	part no.
1	Netzbuchse/ mains inlet	mains inlet	MS- 3	E 952 014
2	mains switch (230V)	switch	230V	E 950 006
3	mains switch (100/ 117V)	switch	117V	E 950 029
4	mains transformer	transformer	230V	E 958 061
5	mains transformer	transformer	100/117V	E 958 062
6	light bulb	xenon bulb	12V/ 5W/ T10- WB	E 932 031
7	bulb socket	socket		E 948 013
8	silicon rubber cap	blue		E 932 038
9	rectifier	rectifier	GBPC 25- 02	E 934 035
10	Lüfter/ fan	fan	axial, typ 900	E 968 017
11	Bedienknopf Poti	knob pot	K20/ black/ black	E 966 011
12	Bedienknopf Schalter	knob switch	tapered, grey	E 966 001
13	Bedienknopf Schalter	knob switch	tapered, black	E 966 018
14	speacon jack(speaker out)	jack	NL4MP	E 952 022
15	XLR jack(speaker out)	jack	XLR female, sold.	E 952 018
16	AXR jack(footswitch)	jack	AXR male, sold.	E 952 075
17	¼" phone jack (phones)	jack	¼" phone jack stereo	E 952 039
	power supply			
18	Rel1	relay	S2 001 B24	E 946 001
19	R5	NTC	33 Ω/ 6A	E 932 033
20	C11	MKT cap X2	47n/ 250V/ X2*	E 920 059
21	C1, C2, C8, C9,C14, C15	electr.cap	4700u/ 100V/ ax	E 926 017
22	C12, C13	electr.cap	2200u/ 40V/ ax	E 926 008
23	C16	electr.cap	470u/ 25V/ rad/ RM5	E 926 008
24	D1, D2	diode	1N4007	E 934 023
25	B1	rectifier	B80C1500	E 934 027
26	IC 1	voltage reg.	L7915CV	E 940 008
27	IC 2	voltage reg.	L7815CV	E 940 007
			* replace only with same type	
	preamp (board below)			
28	J1, J2	jack	¼" phone jack mono	E 952 038
29	P1 (eq B, freq. low)	pot	25 KΩ lin, quattro	E 914 037
30	P2 (bass)	pot	50 KΩ lin, mono	E 914 035
31	P3 (treble)	pot	10 KΩ log, mono	E 914 032
32	P4 (eq B, level low)	pot	10 KΩ lin, mono	E 914 033
33	P5 (eq B, freq. hi)	pot	10 KΩ lin, stereo	E 914 007
34	P6 (eq B, level hi)	pot	10 KΩ lin, mono	E 914 033
35	P7 (notch freq.)	pot	50 KΩ lin, stereo	E 914 005
36	P8 (notch level)	pot	10 KΩ lin, mono	E 914 033
37	P9 (master)	pot	10 KΩ log, mono	E 914 032
38	P10 (phones)	pot	10 KΩ log, mono	E 914 032
39	transformer 1	transformer	EI 15V/ 250V/ 2VA	E 958 049
40	D1- D5	diode	1N4007	E 934 023
41	D6, D12	z-diode	7,5V/ 0,5W	E 934 021
42	D18, D19	LED red	5 mm/ red/ flat top	E 936 007
43	C1, C2	electr.cap	1000u/ 16V/ rad/ RM 5	E 924 037
44	C15, C16	electr.cap	220u/ 25V/ rad/ RM 5	E 924 013
45	C4	hv cap	33u/ 450V ax	E 926 009
46	C6	MKT cap	150n/ 400V/ RM 15	E 920 010

no.	schematic position	name	specs	part no.
47	C7	MKT cap	47n/ 400V/ RM 15	E 920 045
48	C8	hv cap	15u/ 450V ax	E 926 006
49	C61, C62	MKT cap	10n/ 400V/ RM 7,5	E 920 006
50	S1 (-10 dB)	switch	2 x um	E 950 001
51	S2 (mute)	switch	2 x um	E 950 001
52	IC 1	Multiplexer	HCF 4053	E 940 002
53	IC 2	OP Amp	NE5532A	E 940 004
54	IC 3	OP Amp	NE5532A	E 940 004
55	IC 4	OP Amp	NE5532A	E 940 004
56	IC 5	OP amp	TL074CN	E 940 019
57	IC 6	OP amp	TL074CN	E 940 019
58	IC 7	OP amp	TL074CN	E 940 019
59	IC 8	OP Amp	NE5532A	E 940 004
60	IC 9	OP amp	TL074CN	E 940 019
61	IC 10	OP Amp	NE5532A	E 940 004
62	IC 11	OP amp	TL071CN	E 940 017
63	T1	transistor	BD237	E 938 019
64	T2	transistor	BD238	E 938 022
65	Tube1	tube	ECC83/ 12AX7A	E 944 007
66	tube socket	socket	9pin/ pcb mount	E 944 003
	preamp (board above)			
67	J1	jack	XLR jack, male, print	E 952 054
68	P1 (eq A, freq. low)	pot	25 K Ω lin, quattro	E 914 037
69	P2 (eq A, freq. hi)	pot	10 K Ω lin, stereo	E 914 007
70	P3 (gain)	pot	10 K Ω log, mono	E 914 032
71	P4 (eq A, level low)	pot	10 K Ω lin, mono	E 914 033
72	P5 (eq A, level hi)	pot	10 K Ω lin, mono	E 914 033
73	P6 (fx- mix)	pot	50 K Ω log, mono	E 914 034
74	transformer 1	audio transf.	ST6023/1	E 958 050
75	D13, D14, D18	LED red	5 mm/ red/ flat top	E 936 007
76	D11, D15, D16	LED green	5 mm/ green/ flat top	E 936 006
77	D12, D17	LED yellow	5 mm/ yellow/ flat top	E 936 008
78	S1- S6	switch	2 x um	E 950 001
79	IC 1	OP amp	TL074CN	E 940 019
80	IC 2	OP amp	TL074CN	E 940 019
81	IC 3	OP amp	TL074CN	E 940 019
82	IC 4	OP Amp	NE5532A	E 940 004
83	IC 5	OP amp	TL084CN	E 940 022
84	IC 6	OP Amp	NE5534A	E 940 025
85	T1- T7	transistor	BC546B	E 938 009
	fx/ x- over board			
86	J1- J4	jack	1/4" phone jack mono	E 952 038
87	P1 (x- over freq.)	pot	50 K Ω lin, stereo	E 914 005
88	S1 (-10 dB)	switch	2 x um	E 950 001
89	S2 (hi- cut)	switch	2 x um	E 950 001
90	IC 1	OP amp	TL072CN	E 940 018
91	IC 2	OP amp	TL074CN	E 940 019
	power amp			
92	Rel1	relay	T9AS1D1212	E 946 005
93	TR1	trim pot	500 Ω	E 915 015
94	TR2	trim pot	100 K Ω	E 915 005
95	C5, C6, C8	MKT cap	47n/ 400V/ RM15	E 920 045

no.	schematic position	name	specs	part no.
96	C32, C33	cap	5,6u/ 70V	E 928 011
97	R75, R76	PTC	B59 / 80°C	E 932 032
98	D2, D4- D6, D19, D20	diode	1N4007	E 934 023
99	D7, D8	diode	BY500-400/ 5A	E 934 033
100	D9, D10	z-diode	15V/ 0,5W	E 934 012
101	D14	z-diode	10V/ 0,5W	E 934 009
102	D17, D18	z-diode	7,5V/ 0,5W	E 934 021
103	D27	z-diode	4,7V/ 0,5W	E 934 016
104	T1	transistor	BF469	E 938 037
105	T2	transistor	BF470	E 938 038
106	T3	transistor	MJE340	E 938 045
107	T4	transistor	MJE350	E 938 046
108	T5	transistor	BD679	E 938 024
109	T6	transistor	MJE350	E 938 046
110	T7	transistor	MJE340	E 938 045
111	T8	transistor	2SC3298	E 938 042
112	T9	transistor	2SA1306	E 938 040
113	T10	transistor	2SC3281 = 2SC5200	E 938 041
114	T11	transistor	2SA1302 = 2SA1943- 0	E 938 039
115	T12- T16	transistor	MJ15022	E 938 043
116	T17- T21	transistor	MJ15023	E 938 044
117	T22	transistor	BF245B	E 938 028
118	T23- T25	transistor	BC546B	E 938 009
119	T26	transistor	BC556B	E 938 012
120	insulator T10, T11	insulation	silicon rubber	E 972 020
121	IC 1	OP amp	CA3100E	E 942 027
122	IC 3	timer	NE555B	E 942 026
123	IC 4	OP amp	TL082CN	E 942 021
	footswitch			
124	AXR jack	jack	AXR female, sold.	E 954 011
125	sticker	sticker	BB 600	E 980 068
126	S1- S3	switch	tristage	E 950 011

4 Bestellinformationen/ ordering informations

Bestellinformationen und Ersatzteilbestellungen

Deutschland:

Music & Sales

Leipziger Straße 3

D- 66606 St. Wendel

Service

Tel.: 06851/ 905 333

Fax: 06851/ 905 100

E-mail: service@musicandsales.com

Technische Fragen

Tel.:06851/ 905 330

E-mail: service@musicandsales.com

Sparepart orders and technical questions for all other countries:

contact your local distributor or

Hughes & Kettner

Leipzigerstr. 3

66606 St. Wendel

Germany

Tel.: +49 6851/905 210

Fax: +49 6851/905 200

Email: intlservice_handk@musicandsales.com

5 Technische Daten/ technical data

Bass Base 600

Eingänge/ inputs:

Input Active: Buchse/ connection: 1/4" phone jack
 Bauart Eingang/ input type: unbalanced
 Eingangsimpedanz/ input impedance: 470 K Ω
 Empfindlichkeit/ sensitivity: 0 dB (-10dB switchable)
 max. Eingangspegel/ max.input level: + 10 dB

FX- Return: Buchse/ connection: 1/4" phone jack
 Bauart Eingang/ input type: unbalanced
 Eingangsimpedanz/ input impedance: 47 k Ω
 Empfindlichkeit/ sensitivity: 0 dB (-10dB switchable)
 max. Eingangspegel/ max.input level: +6 dB

Ausgänge/ outputs:

FX- Send: Buchse/ connection: 1/4" phone jack
 Bauart Ausgang/ output type: unbalanced
 Ausgangsimpedanz/output impedance: 220 Ω
 Ausgangspegel/ output level: 0 dB (-10dB switchable)
 max. Ausgangspegel/ max.output level: +6 dB

Line Out: Buchse/ connection: 1/4" phone jack
 Bauart Ausgang/ output type: unbalanced
 Ausgangsimpedanz/output impedance: 220 Ω
 Ausgangspegel/ output level: 0 dB
 max. Ausgangspegel/ max.output level: +10 dB

HF Out: Buchse/ connection: 1/4" phone jack
 Bauart Ausgang/ output type: unbalanced
 Ausgangsimpedanz/output impedance: 220 Ω
 Ausgangspegel/ output level: 0 dB
 Übernahmefrequenz/X- over frequency: 80 Hz- 1,2 kHz

DI Out: Buchse/ connection: XLR jack
 Bauart Ausgang/ output type: transformer balanced
 Ausgangsimpedanz/output impedance: 200 Ω
 Ausgangspegel/ output level: - 24 dB

Tuner Out: Buchse/ connection: 1/4" phone jack
 Bauart Ausgang/ output type: unbalanced
 Ausgangsimpedanz/output impedance: 2 K Ω
 Ausgangspegel/ output level: - 10 dB/ 0 dB

Headphones: Buchse/ connection: 1/4" phone jack stereo
 Ausgangsimpedanz/ output impedance: 22 Ω
 Ausgangspegel/ output level: 500 mW into 4- 600

Vorstufe/ Preamp:

Bass: Einsatzfrequenz/ frequency: 50 Hz
 Anhebung/ boost: 14 dB
 Absenkung/ reduction : 10 dB
 Flankensteilheit/ roll off: 6 dB

Lo Mid:	Einsatzfrequenz/ frequency:	80 Hz- 1 kHz
	Centerfrequency:	400 Hz
	Anhebung/ boost:	12 dB
	Absenkung/ reduction:	16 dB
	Flankensteilheit/ roll off:	6 dB
Hi Mid:	Einsatzfrequenz/ frequency:	500 Hz- 15 kHz
	Centerfrequency:	4 KHz
	Anhebung/ boost:	12 dB
	Absenkung/ reduction:	16 dB
	Flankensteilheit/ roll off:	6 dB
Treble:	Einsatzfrequenz/ frequency:	2 kHz- 20 KHz
	Anhebung/ boost:	16 dB
	Absenkung/ reduction:	12 dB
	Flankensteilheit/ roll off:	12 dB
Notchfilter:	Einsatzfrequenz/ frequency:	30 Hz- 500 Hz
	Absenkung/ reduction:	16 dB

Power amp:

840 Watts (RMS) into 2 Ω @ k = 1%	
1010 Watts (Dynaclip) into 2 Ω	
650 Watts (RMS) into 4 Ω @ k = 1%	
840 Watts (Dynaclip) into 4 Ω	
410 Watts (RMS) into 8 Ω @ k = 1%	
550 Watts (Dynaclip) into 8 Ω	
Anstiegsgeschwindigkeit/ slew rate:	25V/ μ s
Dämpfungsfaktor/ damping:	\geq 5000 (50 Hz/ 4 Ω)
Empfindlichkeit/ sensitivity:	-3 dB
Frequenzgang/ frequency response:	10 Hz- 60 KHz (1 W @ 4 Ω / \pm 3 dB)
Leistungsbandbreite/ bandwidth:	20 Hz- 45 KHz (650 W @ 4 Ω / \pm 1 dB)

Speaker out:

Anzahl/ no.:	1 x XLR/ 1 x speaker
Impedanz/ impedance:	min. 4 Ω

Allgemeine elektrische Daten/ general electrical data:

Schutzklasse I/ protection class 1 (protectively earthed)	
Netzspannung/ mains voltage: 230V	Netzsicherung/ fuse: T 5 A
Netzspannung/ mains voltage: 117V	Netzsicherung/ fuse: T 10 A oder SB 10 A
Netzspannung/ mains voltage: 100V	Netzsicherung/ fuse: T 10 A
max. Stromaufnahme/ max. current:	5 A @ 230V
max. Leistungsaufnahme/ max. power consumption:	1150 VA @ 4 Ω
Netzspannungsbereich/ mains voltage range:	+/- 10 %
Umgebungstemperaturbereich/ temperatur range:	- 10 °C bis + 60 ° C
interne Sicherungen/ internal fuses:	2 x T 1 A 2 x T 500 mA 1 x T 200 mA

Allgemeine mechanische Daten/ general mechanical data:

Abmessungen/ sizes: Breite/width:19"/480 mm; Höhe/height: 3 HU/125 mm; Tiefe/ depth: 380 mm	
Gewicht/ weight: 18,5 kg	