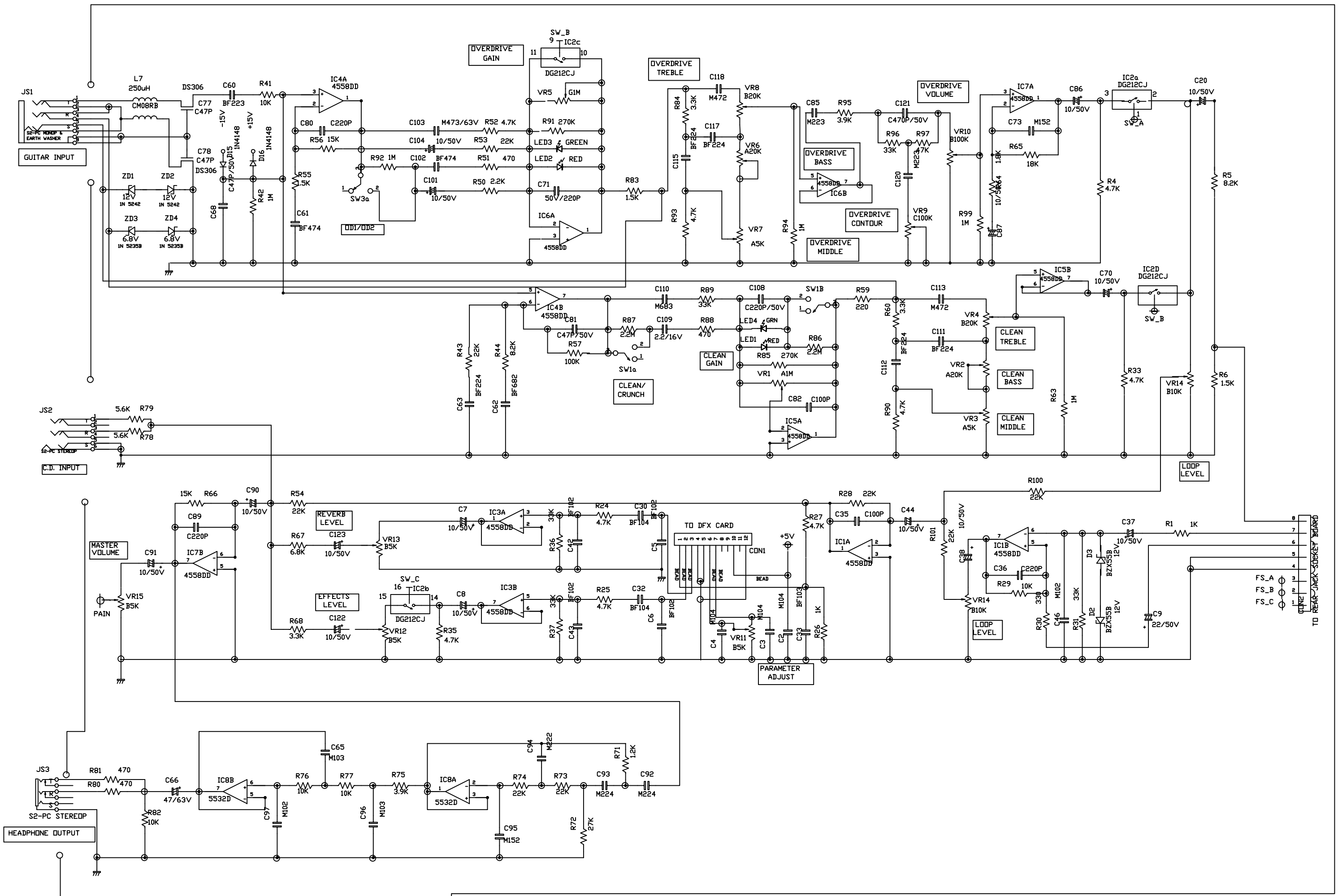
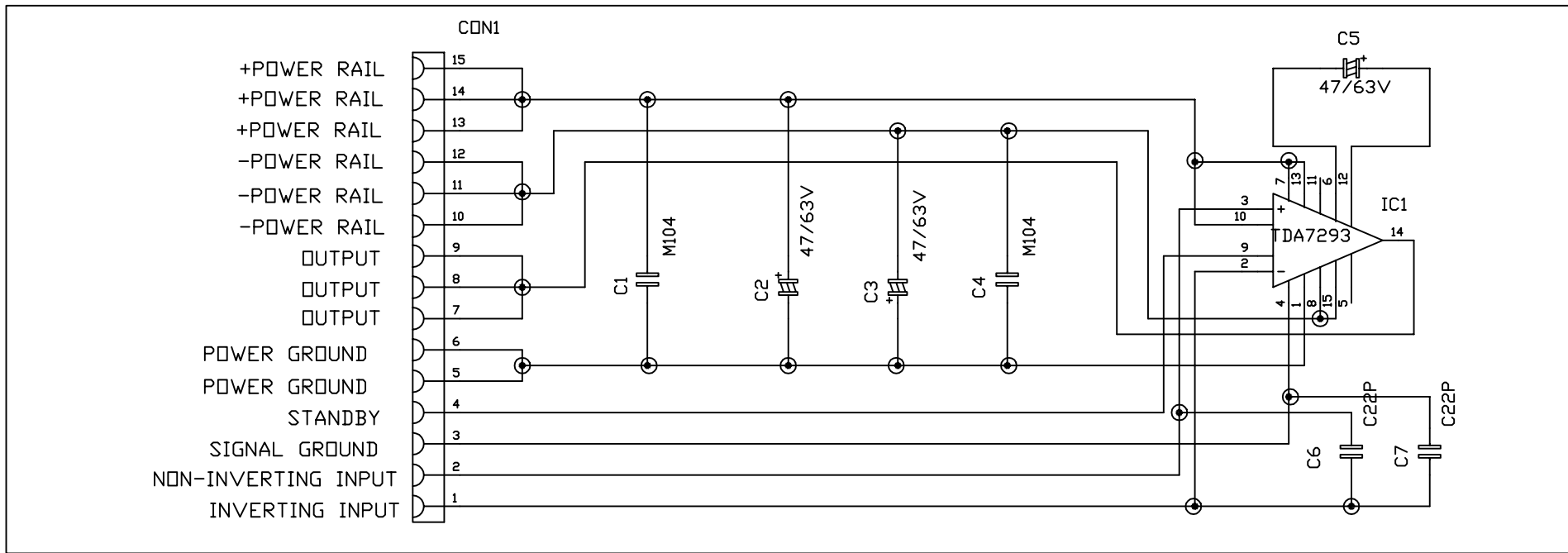
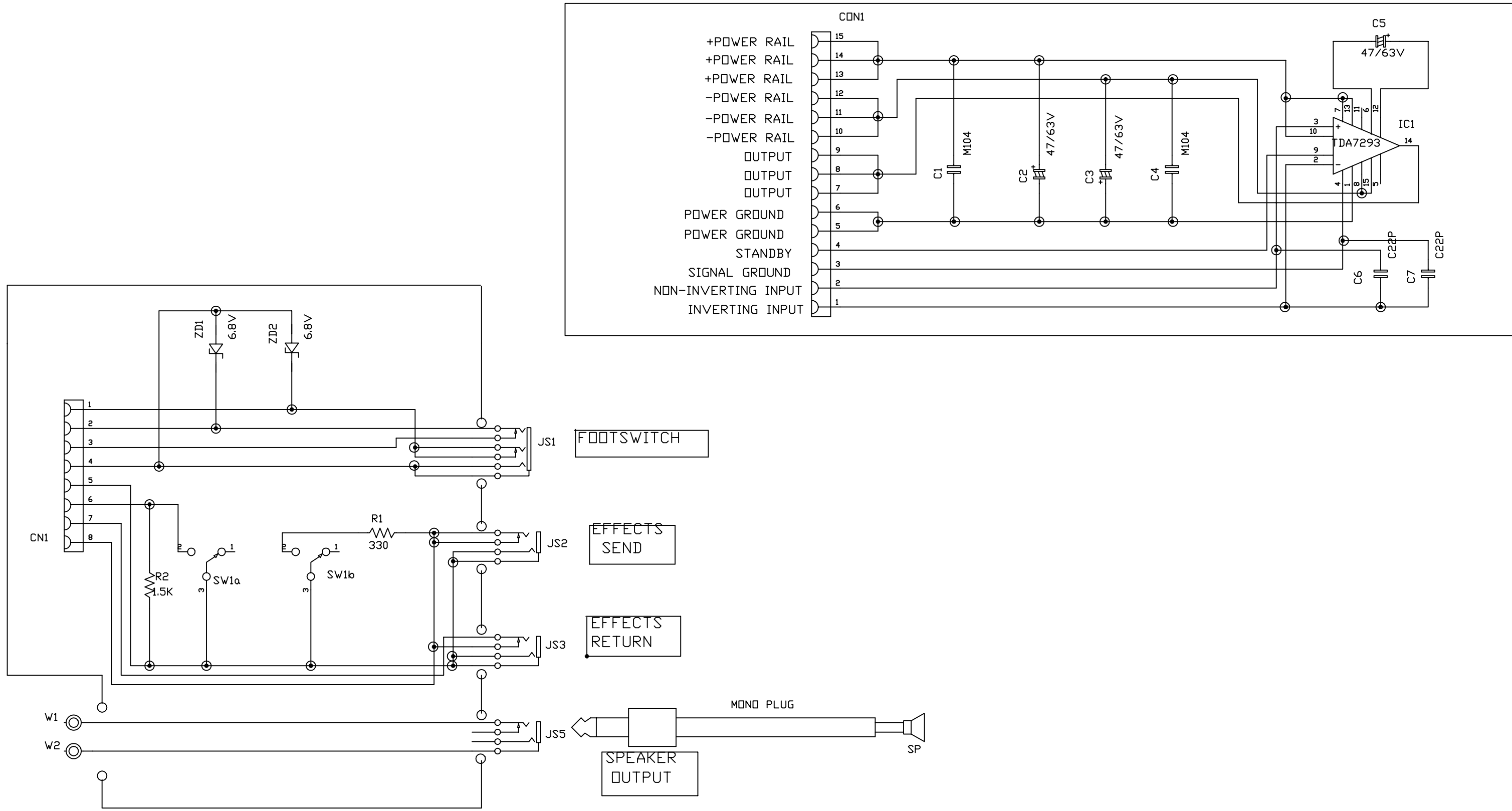


SAFETY CRITICAL COMPONENTS
 COMPONENTS MUST BE REPLACED
 WITH THE SAME TYPE AND
 RATING ONLY

Title			MG-100DFX
Size	Document Number	REV	
A2	<Doc>	P_02	
Date	Friday, May 31, 2002	Sheet	1 of 1





Title			MG 100DFX		
Size	Document Number	Rev			
A3	<Doc>	P_02			
Date:	Friday, May 31, 2002	Sheet	1	of	1