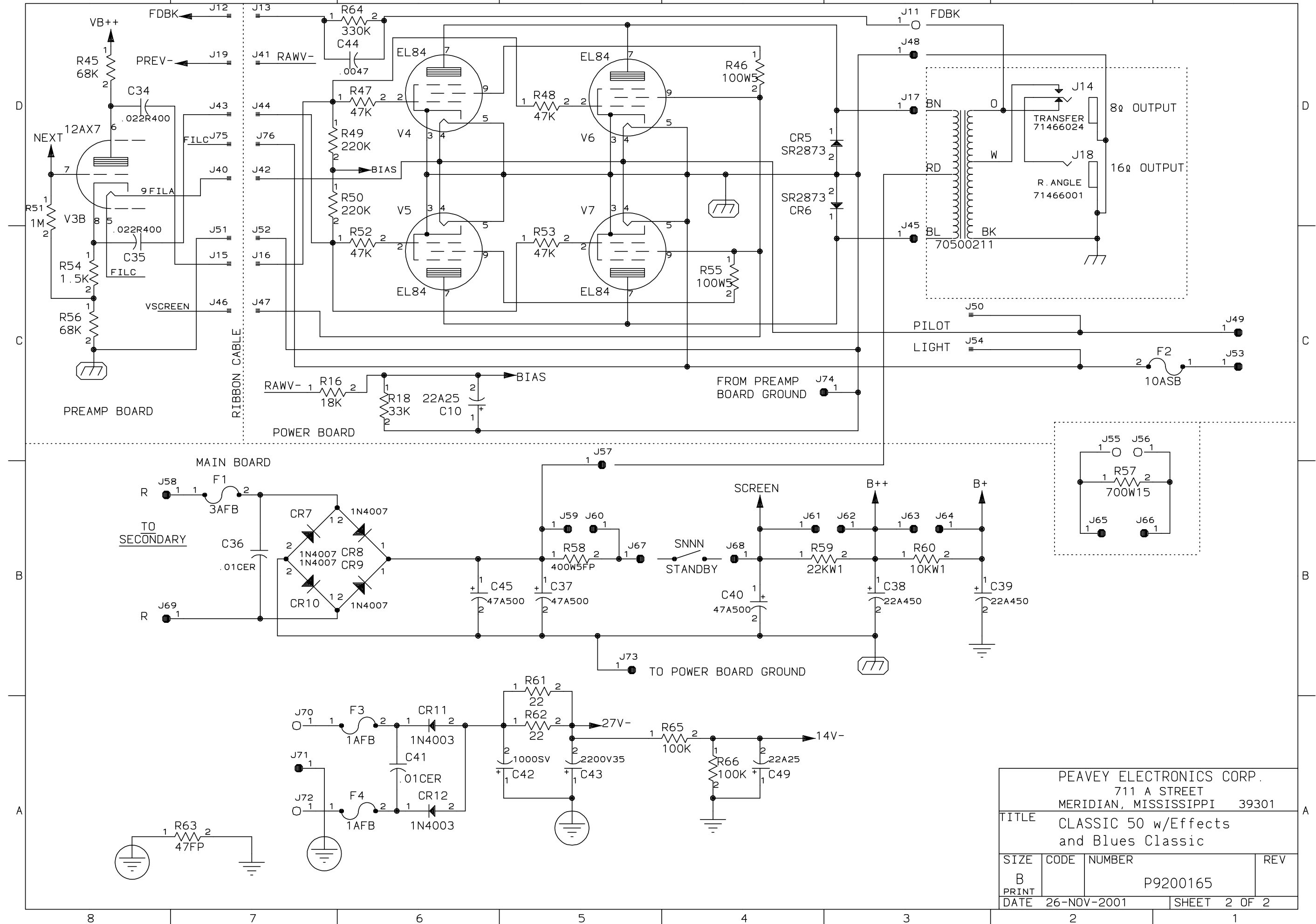


PEAVEY ELECTRONICS CORP.  
 711 A STREET  
 MERIDIAN, MISSISSIPPI 39301

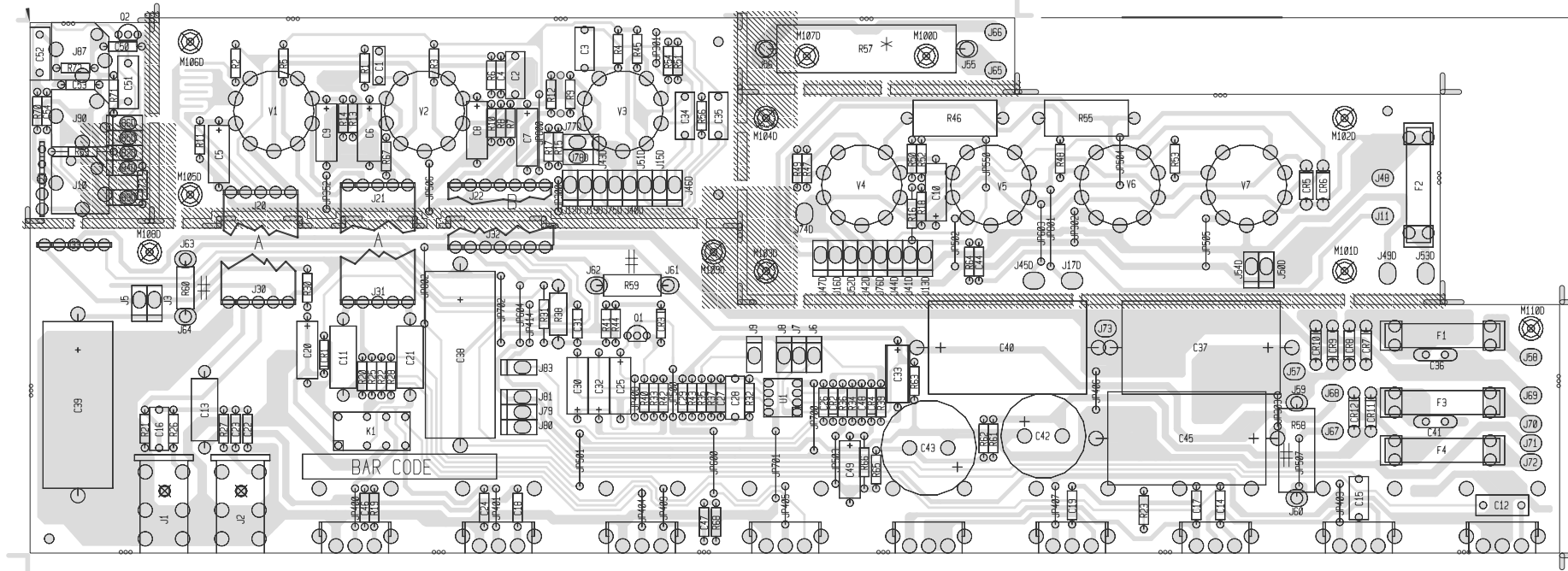
TITLE  
 CLASSIC 50 w/Effects  
 and Blues Classic

SIZE	CODE	NUMBER	REV
B		P9200165	
PRINT			
DATE	26-MAY-94	SHEET	1 OF 3



PEAVEY ELECTRONICS CORP. 711 A STREET MERIDIAN, MISSISSIPPI 39301			
TITLE CLASSIC 50 w/Effects and Blues Classic			
SIZE B	CODE	NUMBER P9200165	REV
DATE 26-NOV-2001	SHEET 2 OF 2		

\* NOTE:  
FOR EXPORT UNITS, USE 1.5KW15 for R57.  
FOR DOMESTIC UNITS, USE 700W15 for R57.



Classic 50 EFX / Blues Classic

B I L L O F M A T E R I A L S R E P O R T

BOARD NAME: CLS 50EFX/BLUES REPORT DATE: 13MAR06  
 ASSEMBLY LEVEL NUMBER: 99052281-Dom 99052371-Exp DESIGNER: KEITH VARNER  
 PROJECT NUMBER: P9200163

CBDS

** QTY.	NAME	VALUE	PART NUMBER	DESCRIPTION AND DEVICE DESIGNATIONS *****
2	.001	.001	70340000	.001MF----10%----50VDC----MON----T&R C26, C46
1	.001R630	.001R630	70320160	.001MFD 630VDC B-BOX C1
1	.0022	.0022	70340004	.0022MF---10%----50VDC----T/C----T&R C27
1	.0047	.0047	70340007	.0047MF---10%----50VDC----MON----T&R C44
1	.01	.01	70340011	.01MF-----10%----50VDC----T/C----T&R C23
3	.015	.015	70340010	.015MF-----10%----50VDC----T/C----T&R C47, C48, C53
2	.01CER	.01CER	70320099	.01 MFD 1000VDC CD -UNCUT C36, C41
2	.022	.022	70340012	.022MF----10%----50VDC----MON----T&R C17, C19
3	.022R400	.022R400	70320106	.022 MFD 400V RADIAL MYLAR C2, C34, C35
3	.047A400	.047A400	70320105	.047MFD 450 VOLT T&R CAP C11, C13, C21
1	.047P80	.047P80	70340016	.047MF--+80-20%--50VDC----MON----T&R C31
2	.1	.1	70340100	.1MF-----+80-20%--50VDC----AXL----T&R C50, C54
4	.1R250MY	.1R250MY	70320096	.1 MFD 250VDC MYLAR CA/BR C3, C15, C16, C28
3	.22R100M	.22R100M	70330007	.22 MFD 100VDC 5% MYLAR C12, C51, C52
2	.47A50L	.47A50L	70340063	.47MFD 50V LOW LEAKAGE C6, C32
6	1.5K	1.5K	70240018	1.5K--1/4W--5%----CF--T&R

				R10, R11, R12, R13, R14, R54
1	1.5KW1	1.5KW1	70210007	1.5K--1W----5%----MO--T&R R38
1	100	100	70240010	100---1/4W--5%----CF--T&R R31
1	1000SV	1000SV	70320108	1000 MFD 35VDC RAD.PC MNT C42
7	100K	100K	70240034	100K--1/4W--5%----CF--T&R R4, R15, R27, R32, R65, R66, R72
1	100PF	100PF	70340054	100PF-----10%----50VDC----T/C----T&R C29
2	100W5	100W5	70250006	100--5W--10%--WW--AXL R46, R55
1	10AFB #70900816	10AFB	70900370	10 AMP F/B FUSE WITH 2 FUSECLIPS  F2
2	10K	10K	70240025	10K---1/4W--5%----CF--T&R R33, R68
1	10KAVB	71190528	71190528	10K 20% AUD MIN VPC W/BRACKET VR3
1	10KBVB	71190510	71190510	10K LIN MIN VPC W/BRACKET VR4
1	10KCVB	71190523	71190523	10K RA MIN VPC 20% TAPER W/BRKT VR9
1	10KW1	10KW1	70210018	10K---1W----5%----MO--T&R R60
6	125SOWD	70900788	70900788	SPACER, 1/8,R(#4),.187 SWAGE ALUM. M101, M102, M103, M104, M105, M106
3	12AX7	12AX7	70806612	12AX7 VACUUM TUBE W/9 PIN PC MNT SOCKET V1, V2, V3
1	12VRELAY	71322277	71322277	DPDT OMRON RELAY 12VDC K1
1	150	150	70240001	150---1/4W--5%----CF--T&R R17
5	150K	150K	70240035	150K--1/4W--5%----CF--T&R R1, R2, R3, R5, R25
1	18K	18K	70240028	18K---1/4W--5%----CF--T&R R16

2	1AFB	1AFB	70900085	AGC 1 AMP FUSE with 2 fuseclips F3, F4
#70900816				
1	1K	1K	70240017	1K----1/4W--5%----CF--T&R R35
5	1M	1M	70240039	1M----1/4W--5%----CF--T&R R7, R36, R44, R51, R67
1	1MAVB	71190516	71190516	1 MEG AUD MIN VPC 20% W/BRKT VR8
2	1MAVBP5	71190522	71190522	1 MEG AUD MIN VPC 5% TAPER W/BRKT VR2, VR5
2	1N4003	1N4003	70464003	1N4003 200V SILICON DIODE CR11, CR12
4	1N4007	1N4007	70464007	1N4007 1KV, 1A, SILICON DIODE CR7, CR8, CR9, CR10
2	1N4148	4148	70464148	1N4148 75V 10MA SILICON DIODE CR1, CR3
2	1N757	1N757	70400757	1N757A 9.1V 5% ZENER DIODE CR2, CR4
2	2.2A35	2.2A35	70320200	2.2MFD 35VDC LY.CAP T&R C25, C30
1	2.2K	2.2K	70240020	2.2K--1/4W--5%----CF--T&R R42
4	2.2M	2.2M	70240040	2.2M--1/4W--5%----CF--T&R R9, R20, R40, R71
1	2.7K	2.7K	70240021	2.7K--1/4W--5%----CF--T&R R43
1	20KBVB	71190518	71190518	20K LIN MIN VPC W/BACKET VR6
3	22	22	70240007	22----1/4W--5%----CF--T&R R39, R61, R62
1	2200V35	2200V35	70320113	2200 MFD 35VDC RADIAL LYTIC C43
4	220K	220K	70240036	220K--1/4W--5%----CF--T&R R22, R28, R49, R50
8	22A25	22A25	70320012	22MFD +/-20% 25VDC EL AXL C5, C7, C8, C9, C10, C20, C33, C49
2	22A450	22A450	70320020	22 MFD 450VDC LYTIC CAP C38, C39

2	22K	22K	70240029	22K---1/4W--5%----CF--T&R R34, R70
1	22KW1	22KW1	70210005	22K---1W----5%----MO--T&R R59
1	250KAVB	71190514	71190514	250K AUD MIN VPC W/BRACKET VR1
1	250KBVB	71190515	71190515	250K LIN MIN VPC W/BRACKET VR7
2	250SOWD	70900785	70900785	SPACER, 1/4,R(#4),.187 SWAGE ALUM. M100, M107
1	270PF	270PF	70340057	270PF-----10%----50VDC----T/C----T&R C14
1	330K	330K	70240037	330K--1/4W--5%----CF--T&R R64
1	33K	33K	70240030	33K---1/4W--5%----CF--T&R R18
1	39PF	39PF	70340052	39PF-----50VDC----T/C----T&R C22
1	3AFB	3AFB	70900033	3 AMP F/B FUSE WITH 2 FUSECLIPS F1
#70900816				
1	400W5FP	400W5FP	70250020	400--5W--10%--FP--AXL R58
1	4558	4558	70404558	IC RC-4558, P DUAL BI-PKG 10 U1
1	470	470	70240015	470---1/4W--5%----CF--T&R R30
6	470K	470K	70240038	470K--1/4W--5%----CF--T&R R6, R8, R19, R21, R69, R73
3	470PF	470PF	70340058	470PF-----10%----50VDC----T/C----T&R C4, C18, C24
3	47A500	47A500	70320005	47MF 500VDC ELECTROLYTIC -AXIAL C37, C40, C45
1	47FP	47FP	70240090	47FP--1/4W--5%----FP--T&R R63
6	47K	47K	70240031	47K---1/4W--5%----CF--T&R R26, R37, R47, R48, R52, R53
4	5CJMP3	70600029	70600029	5 CONDUCTOR - 3" JUMPER CABLE -.156 CTRS

J20, J21, J30, J31

2	5CJMP5	70600007	70600007	5 CONDUCTOR - 5" JUMPER CABLE -.156 CTRS J23, J33
4	68K	68K	70240032	68K---1/4W--5%---CF--T&R R23, R41, R45, R56
1	700W15	700W15	70250037	700--15W--10%--WW--AXL R57
3	750SOWB	70900936	70900936	SPACER, .750 R (#4),.187 SWAGE BRASS M108, M109, M110
2	7CJMP3	70600030	70600030	7 CONDUCTOR - 3" JUMPER CABLE -.156 CTRS J22, J32
4	EL84	EL84	70806623	EL84 POWER TUBE W/9 PIN PC MNT SOCKET V4, V5, V6, V7
5	FMPU	73711811	73711811	M118-171 C.B. FEMALE MOLEX PIN J11, J55, J56, J70, J72
2	HIDMI	71466215	71466215	2 TIP HID JACK INSU W/SPD J87, J90
1	HIDSNI	71466217	71466217	STEREO HID JACK NINS W/SPD J10
1	J231	J231	70460231	2N5951-3586-J231 40V N-CHANNEL FET T&A Q1
4	J325	J	70600005	22GA JUMPER WIRES T&R JP300, JP301, JP302, JP303
1	J35	J	70600005	22GA JUMPER WIRES T&R JP352
10	J4	J	70600005	22GA JUMPER WIRES T&R JP400, JP401, JP403, JP404, JP405, JP406, JP407, JP408, JP409, JP414
9	J5	J	70600005	22GA JUMPER WIRES T&R JP500, JP501, JP502, JP503, JP504, JP505, JP506, JP507, JP550
3	J6	J	70600005	22GA JUMPER WIRES T&R JP600, JP603, JP604
3	J7	J	70600005	22GA JUMPER WIRES T&R JP700, JP701, JP702
3	J8	J	70600005	22GA JUMPER WIRES T&R JP800, JP801, JP802
5	MMPD	73711812	73711812	R93-12 PN C.B. MALE MOLEX PIN J17, J45, J49, J53, J74



16	MMPU	73711812	73711812	R93-12 PN C.B. MALE MOLEX PIN J48, J57, J58, J59, J60, J61, J62, J63, J64, J65, J66, J67, J68, J69, J71, J73
1	MPSA63	A63	70400063	MPS-A63 PNP DARLINGTON TRANS Q2
2	RASN6165	71466165	71466165	JK R/A 12.5MM NIN STEREO -88 J1, J2
25	SPX1D	SPX1D	73717003	1 STAKE PIN J12, J13, J15, J16, J19, J40, J41, J42, J43, J44, J46, J47, J50, J51, J52, J54, J75, J76, J77, J78, J82, J84, J85, J86, J89
10	SPX1U	SPX1U	73717003	1 STAKE PIN J3, J5, J6, J7, J8, J9, J79, J80, J81, J83
2	SR2873	SR2873	70402873	SR2873 2KV, 250MA SILICON DIODE CR5, CR6

\*\*\*\*\*  
\* END OF BILL OF MATERIALS REPORT \*  
\*\*\*\*\*

Filename: 99052281.bom  
Directory: C:\Documents and Settings\jlg9798\Desktop  
Template: C:\Program Files\Microsoft Office\Templates\Normal.dot  
Title:  
Subject:  
Author:  
Keywords:  
Comments:  
Creation Date: 09/05/06 9:06 AM  
Change Number: 1  
Last Saved On:  
Last Saved By:  
Total Editing Time: 18 Minutes  
Last Printed On: 09/05/06 3:36 PM  
As of Last Complete Printing  
Number of Pages: 6  
Number of Words: 5,986 (approx.)  
Number of Characters: 34,122 (approx.)