

BILL OF MATERIALS REPORT

BOARD NAME: PV1200 INPUT REPORT DATE: 17JUN97
ASSEMBLY LEVEL NUMBER: 99352460
PROJECT NUMBER: P9500212

CBDS

PART PART DESCRIPTION AND

** QTY. NAME VALUE NUMBER DEVICE DESIGNATIONS *****

1 98852460 98852460 98852460 PCB

4 1K 1K 70240017 1K----1/4W--5%---CF--T&R

R101, R102, R103, R104

4 1N5393 5393 70465393 1N5393-RL 200V, 1.5, 5% DIODE -T&R

CR100, CR101, CR102, CR103

2 2.2R50NP 2.2R50NP 70320184 2.2MF-----20%---50VDC---NP--T&A

C100, C101

4 HIDMI 71466215 71466215 2 TIP HID JACK INSU W/SPD

J100, J101, J102, J103

1 J325 J 70600005 22GA JUMPER WIRES T&R

JP300,

2 POT0335 71190335 71190335 50K LIN METRIC SPIDER 1MM

VR100, VR101

1 SPD 73716194 73716194 .250 PC MNT SPADE .093 PCB

P102

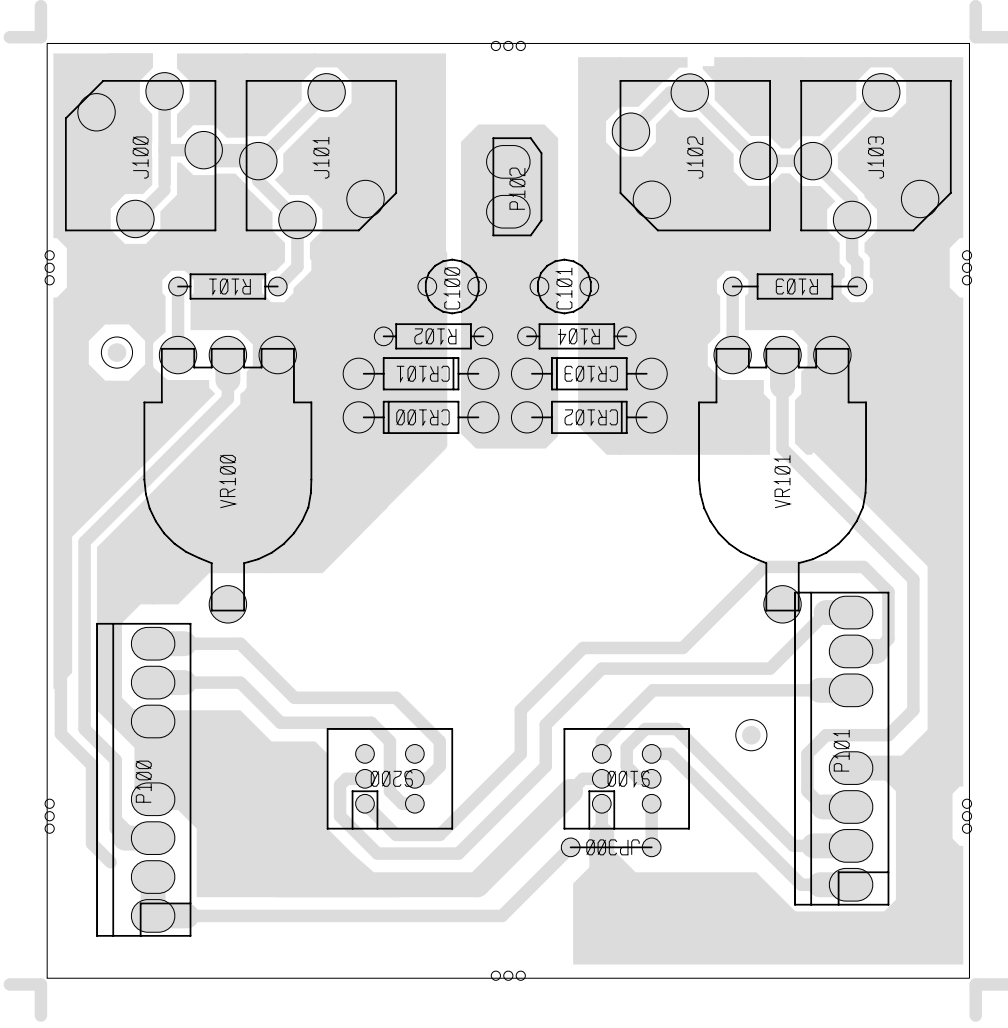
2 SPX8K5 SPX8K5 XXXXXXXX 7 EACH OF STAKE PINS 73717003 KEY AT PIN 5

P100, P101

2 SUZPP SUZPP 71322251 SUZ P/P SWITCH PC MOUNT

S100, S200

* END OF BILL OF MATERIALS REPORT *



PV1200 Input

8

7

6

5

4

3

2

1

LAST REF USED: C101 CR103 J110 R104 S100 VR101

D

D

C

C

B

B

A

A

8

7

6

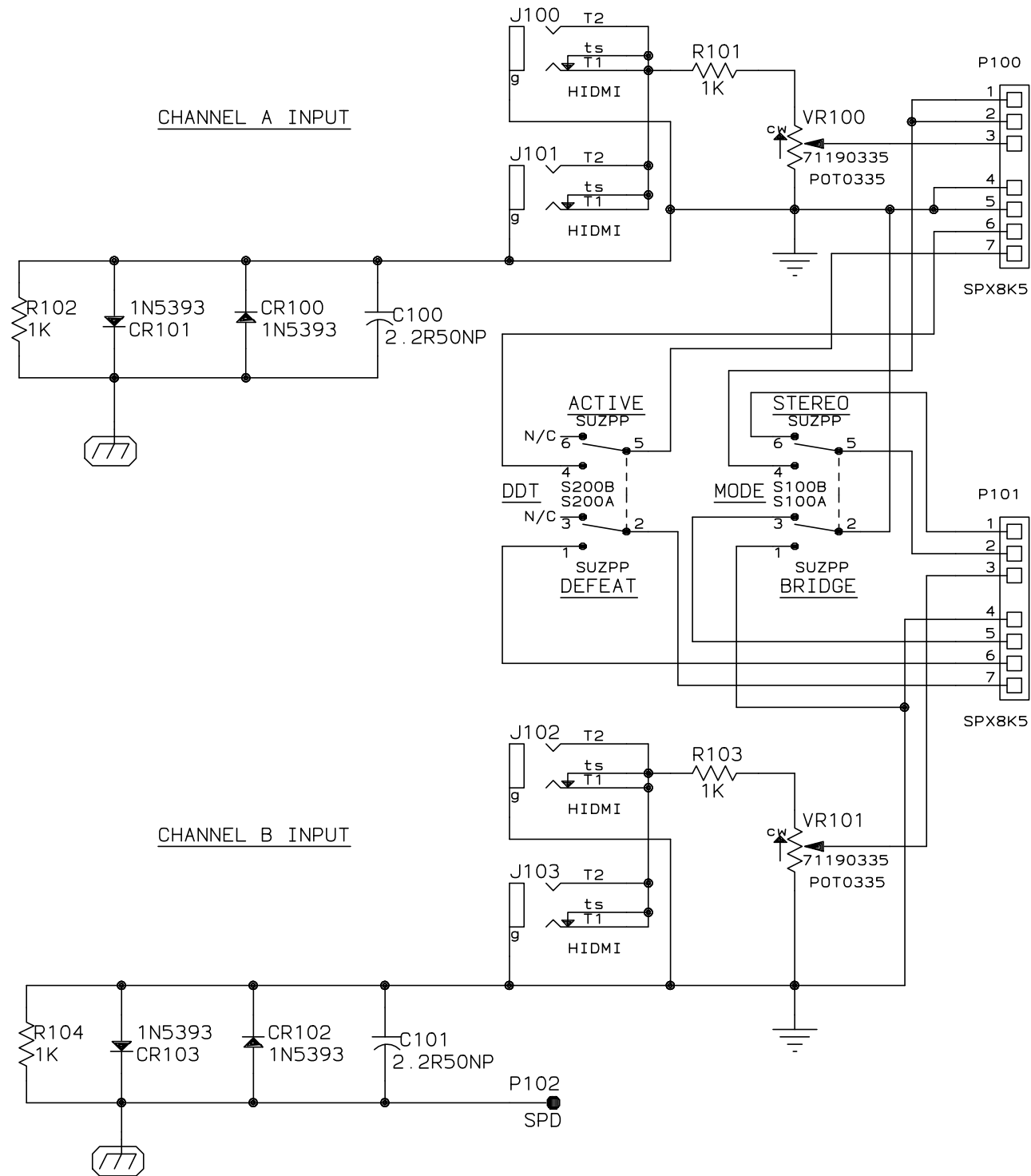
5

4

3

2

1



PEAVEY ELECTRONICS CORP. 711 A STREET MERIDIAN, MISSISSIPPI 39301			
TITLE PV1200 INPUT BOARD			
SIZE B	CODE	NUMBER 98852460	REV A
PRINT	DATE 5-AUG-96	SHEET 1 OF 2	